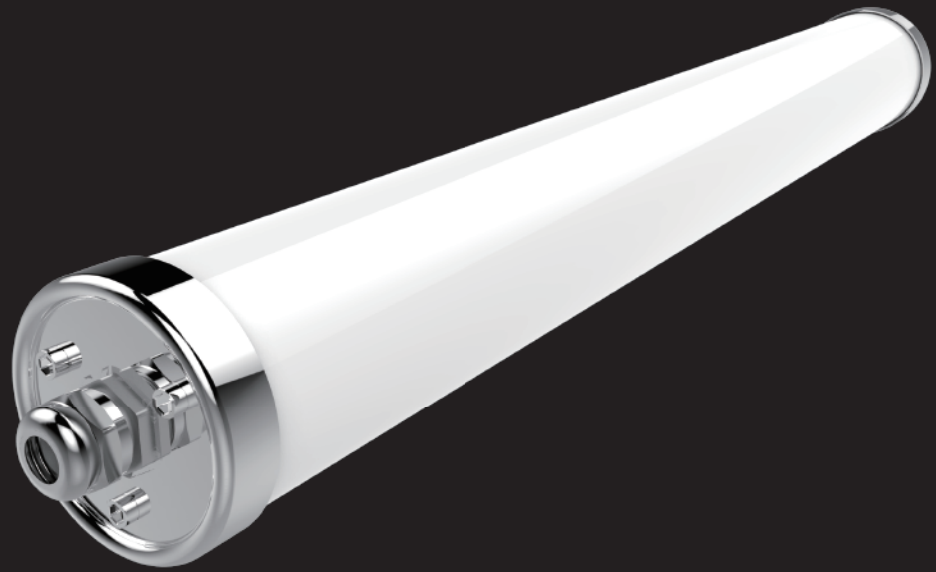


# PROFESSIONAL TUBULAR

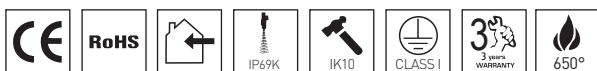
for Farm

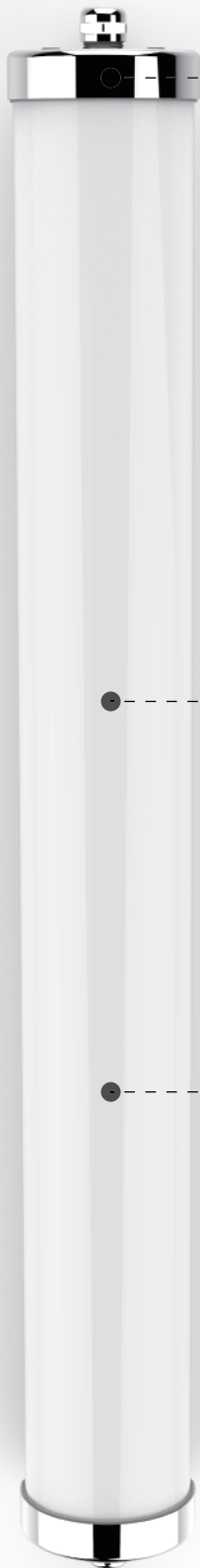
T60C

- Installation Height : 2-8m



If you are looking to equip your farm with energy saving and cost efficient LED solutions, IP69K Luminaire T60C is the recommended solution. T60C is PMMA cover optimum choice for UV protection and anti-corrosion ideal replacement for high wattage and inefficient compact fluorescent lamps due to their incredibly durable tube luminaire. Impervious to water, dust, ammonia and other corrosive elements, they boast a unique long lasting cylinder design, fit for aggressive environments. The lamp angle can easily be adjusted, depending on the kind of illumination required. - maintenance. Our luminaire T60C offers a nonporous & sealed design that ensures they remain free of corrosion, dust, dirt, insects, moisture and bacteria. The sealed luminaire design also helps reduce costly unscheduled maintenance and downtime by protecting the luminaire's internal components.





316 stainless steel  
(Strong impact resistance)

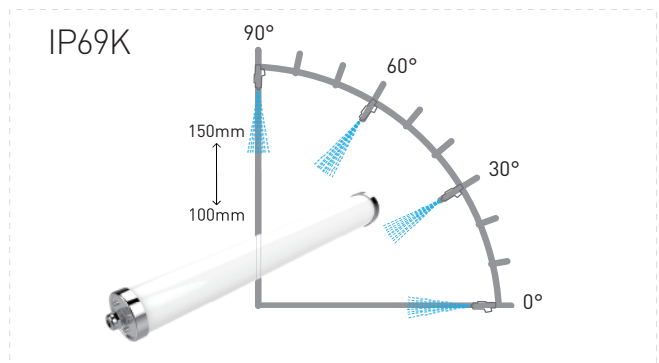
Special PMMA material  
(Strong wash-down IP69K, IK09, anti UV)

DLG approved  
(anti-ammonia & highest-quality)

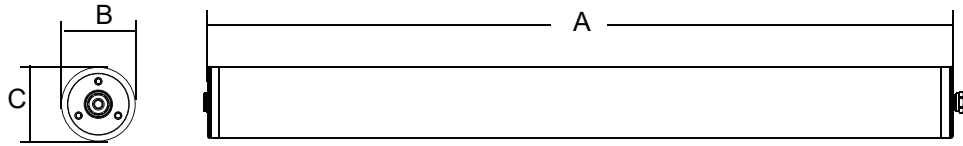


## Features

- PMMA material for anti UV and anti corrosion
- IP69K can stand 1450psi high pressure wash-down
- 316 Stainless steel end cap
- DLG approved for application realize anti-ammonia
- Impact resistance IK09
- ENEC approved ensure the top quality



## Product Dimension



Model NO.	Size A(mm)	Size B(mm)	Size C(mm)
T60 600mm	2FT(600mm)	70	70
T60 1200mm	4FT(1200mm)	70	70
T60 1500mm	5FT(1500mm)	70	70

## Parameter

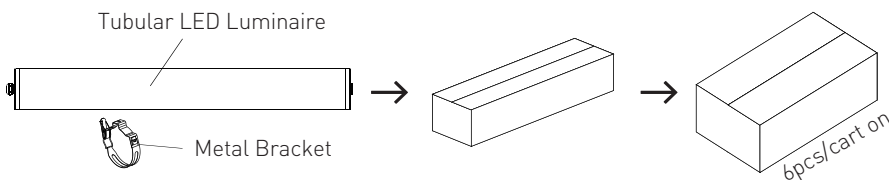
Model NO. / Length	Power (W)	(Frosted Cover) Lumens	
		130Lm/W	150Lm/W
T60 (600mm)	20	2600	3000
T60 (1200mm)	30	3900	4500
T60 (1500mm)	40	5200	6000

### Notes:

- Operating temperature: -20~+35°C
- Clear cover is 10Lm/W more than frosted cover  
Above lumens based on 4000K Ra : 80
- All values in +25°C ambient temperature, luminous flux tolerance +-5%, output power tolerance +-5%.

AC Input	220-240V 50/60Hz
Light Source	2835 SDCM<5 (SDCM<3 option)
CRI Range	80 / 90 / 95
CCT Range	(3000K) (4000K) (5000K) (6500K)
Light Efficiency	130Lm/W, 150Lm/W
Beam Angle	120°
Size	70(W)*70(H)
Waterproof	IP69K & IP67
IK Rate	IK09
Installation Height	2-8M

## Packaging



### A.Packing list(Standard accessories)

Sequence Number	Model NO.	Quantity
1	Tubular LED Luminaire	1pc
2	Metal Bracket	2pcs
3	Screw	2pcs
4	Manual	1pc

### B.Packing Data

Model No	Single Box	Pcs/CTN	N.W./Panel(kg)	G.W./CTN(kg)	Meas(mm)
T60 600mm	1	6	1.02	8.0	818x321x188
T60 1200mm	1	6	1.7	13.2	1418x321x188
T60 1500mm	1	6	2.0	15.2	1718x321x188

## Accessory part number matrix



01



02



03



04



05

Accessories	IMAGE	DESIGNTION	STAINLESS STEEL	MATERIAL	DESCRIPTION	QUANTITY	ACCESSORY USE
Standard	01	Metal Bracket	316	Stainless steel	82X78X20mm	2PCS	Used of Suspending and ceiling mounted.
Standard	02	Screw	304	Stainless steel	4X20mm	2PCS	Used of ceiling mounted.
Optional	03	Suspending Cable	304	Stainless steel	1M/1.2M/1.5M/3M	2PCS	Used of suspending.
Optional	04	Anti-theft clip with rubber sleeve	316/304	Stainless steel	95X80X13mm	2PCS	Used of Suspending and ceiling mounted.
Optional	05	Ring spanner	--	Stainless steel	T20	1PCS	Used of Anti-theft clips installation.

## Wire system

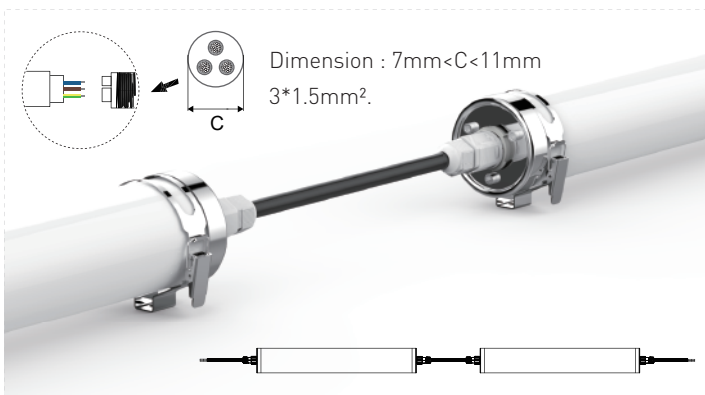
### Standard



**Note:**  
Brown "L"  
Blue "N"

**Note:**  
Brown "L"  
Blue "N"  
Green+Yellow "E"

### Wire through



How many LED fixtures we could connect on one phase.

Input Voltage	Length(mm)	Max Qty
230VAC/20W	600	35
230VAC/36W	1200	19
230VAC/48W	1500	14

## Installation

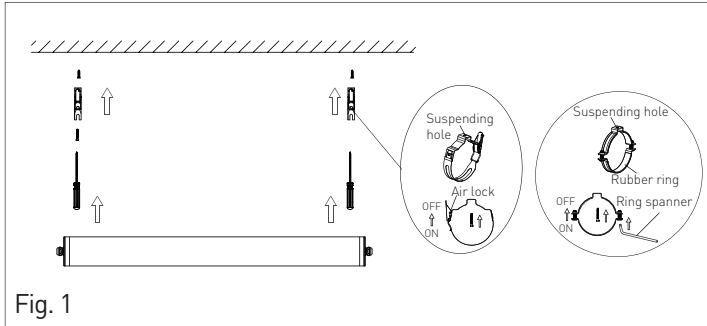


Fig. 1

### Ceiling Mounted

- A : Make a right position and screw hole
- B : Screw the clip on the ceiling tightly
- C : Install the lamp into the clips.
- D : Adjust the position of the fixture and clean it..

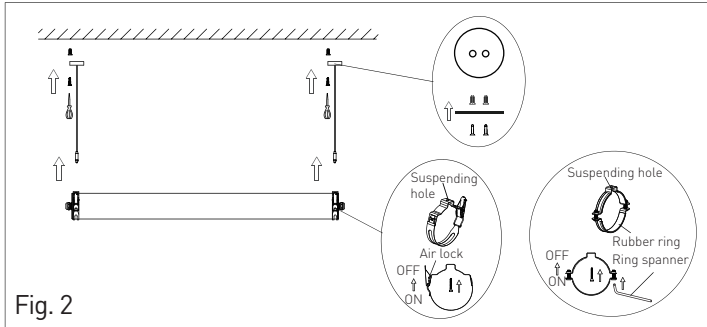


Fig. 2

### Suspending

- A : Make a right position and screw hole
- B : Screw the steel cable onto the ceiling
- C : Hung the fixture under the steel cable and secure the fixture by steel cable
- D : Adjust the position of the fixture and clean it..

— Please Note:All the operations must be in the condition of power off



— The luminaires are intended for indoor use. If you don't understand anything, please consult the sales staff.

## Attention

This specification is for reference only, we reserve the right to change without notice. If you need the updated info, please contact local distributors or visit our website at <http://www.ervan.cn>

This product is non-resistant to some chemical substances, please contact the manufacturer for the details.

ERVAN reserves the right of final explanation.

## Statement

According to the International Standard of LED luminaire, here ERVAN formally claims that ERVAN LED Tri-proof (Weather proof) series products is only allowed to be applied to indoor or semi-outdoor neutral environment. Meanwhile ERVAN promises full warranty for the products.

Any severe environment application including high/low temperature, high humidity, high salinity, high-ammonia etc. is not permitted without the official confirmation from the manufacturer. If any misapplication happens, the warranty policy is no longer guaranteed.